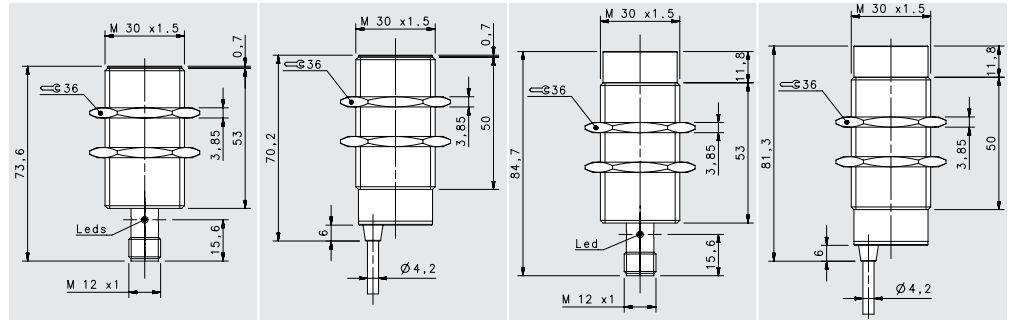


BASIC M30



STANDARD

FLUSH

NON FLUSH

M12 conn

cable

M12 conn

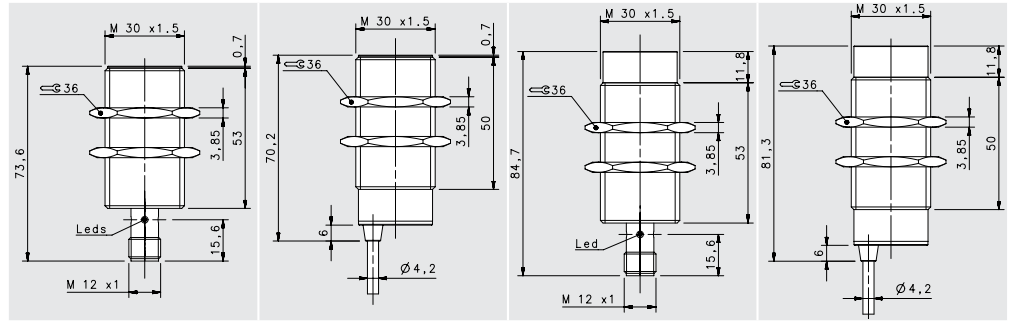
cable

NOMINAL SWITCHING DISTANCE

				10 mm	10 mm	15 mm	15 mm
10-30 Vdc	PNP/NPN NO-NC	4 wires	order No.	IS-30-A0-S2 95B064490	IS-30-A0-03 95B064460	IS-30-C0-S2 95B064510	IS-30-C0-03 95B064470
10-30 Vdc	PNP NO	3 wires	order No.	IS-30-A1-S2 95B061431	IS-30-A1-03 95B061421	IS-30-C1-S2 95B061831	IS-30-C1-03 95B061821
10-30 Vdc	PNP NC	3 wires	order No.	IS-30-A2-S2 95B061451	IS-30-A2-03 95B061441	IS-30-C2-S2 95B061851	IS-30-C2-03 95B061841
10-30 Vdc	NPN NO	3 wires	order No.	IS-30-A3-S2 95B061391	IS-30-A3-03 95B061381	IS-30-C3-S2 95B061791	IS-30-C3-03 95B061781
10-30 Vdc	NPN NC	3 wires	order No.	IS-30-A4-S2 95B061411	IS-30-A4-03 95B061401	IS-30-C4-S2 95B061811	IS-30-C4-03 95B061801
10-30 Vdc	PNP NO-NC	4 wires	order No.	---	---	---	---
10-30 Vdc	NPN NO-NC	4 wires	order No.	---	---	---	---
10-30 Vdc	NO-NC	2 wires	order No.	IS-30-A9-S2 95B064570	IS-30-A9-03 95B064530	IS-30-C9-S2 95B064590	IS-30-C9-03 95B064550
20-250 Vac/Vdc	NO	2 wires	order No.	---	---	---	---
20-250 Vac/Vdc	NC	2 wires	order No.	---	---	---	---
20-250 Vac	NO	2/3wires	order No.	---	---	---	---
10-30 Vdc	Analog 0-20 mA	3 wires	order No.	---	---	---	---
NAMUR amplifier	NAMUR	2 wires	order No.	---	---	---	---

	10-30 Vdc (-15/10%)	10-30 Vdc (-15/10%)	10-30 Vdc (-15/10%)	10-30 Vdc (-15/10%)
Nominal Voltage	10-30 Vdc (-15/10%)	10-30 Vdc (-15/10%)	10-30 Vdc (-15/10%)	10-30 Vdc (-15/10%)
Residual Ripple	< 10%	< 10%	< 10%	< 10%
Hysteresis	< 10%	< 10%	< 10%	< 10%
Max. Output Current	200mA; 100 mA (2wires)	200mA; 100 mA (2wires)	200mA; 100 mA (2wires)	200mA; 100 mA (2wires)
Min. Output Current	> 1,6 mA (2wires)	> 1,6 mA (2wires)	> 1,6 mA (2wires)	> 1,6 mA (2wires)
Residual Current	< 1,6 mA	< 1,6 mA	< 1,6 mA	< 1,6 mA
Voltage Drop	< 1,8V; < 6,5 V (2wires)	< 1,8V; < 6,5 V (2wires)	< 1,8V; < 6,5 V (2wires)	< 1,8V; < 6,5 V (2wires)
Operation Led	Yellow	Yellow	Yellow	Yellow
Switching Frequency	300 Hz/250 Hz (2 wires NO-NC)	300 Hz/250 Hz (2 wires NO-NC)	300 Hz/250 Hz (2 wires NO-NC)	300 Hz/250 Hz (2 wires NO-NC)
Start Up Delay	< 50 ms	< 50 ms	< 50 ms	< 50 ms
Repeatability	< 3%	< 3%	< 3%	< 3%
Short Circuit Protection	Present (self-resetting)	Present (self-resetting)	Present (self-resetting)	Present (self-resetting)
Electric Protection	Against polarity reversal inductive loads	Against polarity reversal inductive loads	Against polarity reversal inductive loads	Against polarity reversal inductive loads
Temperature Limit	(-25 ... +70 °C)	(-25 ... +70 °C)	(-25 ... +70 °C)	(-25 ... +70 °C)
Protection Degree	IP67	IP67	IP67	IP67
Cable Length	---	2 m	---	2 m
Cable Section	---	2/3/4 x 0,25 mm ²	---	2/3/4 x 0,25 mm ²
Housing Material	Nickel-plated brass	Nickel-plated brass	Nickel-plated brass	Nickel-plated brass
Weight - Cable Output	---	210 g	---	210 g
Weight - Connector Output	170 g	---	170 g	---

BASIC M30



STANDARD X2

FLUSH

NON-FLUSH

M12 conn

cable

M12 conn

cable

NOMINAL SWITCHING DISTANCE

				15mm	15mm	20 mm	20 mm
10-30 Vdc	PNP/NPN NO-NC	4 wires	order No.	IS-30-E0-S2 95B067390	IS-30-E0-03 95B067350	IS-30-F0-S2 95B067410	IS-30-F0-03 95B067370
10-30 Vdc	PNP NO	3 wires	order No.	IS-30-E1-S2 95B067060	---	---	---
10-30 Vdc	PNP NC	3 wires	order No.	---	---	---	---
10-30 Vdc	NPN NO	3 wires	order No.	---	---	---	---
10-30 Vdc	NPN NC	3 wires	order No.	---	---	---	---
10-30 Vdc	PNP NO-NC	4 wires	order No.	---	---	---	---
10-30 Vdc	NPN NO-NC	4 wires	order No.	---	---	---	---
10-30 Vdc	NO-NC	2 wires	order No.	IS-30-E9-S2 95B067400	IS-30-E9-03 95B067360	IS-30-F9-S2 95B067420	IS-30-F9-03 95B067380
20-250 Vac/Vdc	NO	2 wires	order No.	---	---	---	---
20-250 Vac/Vdc	NC	2 wires	order No.	---	---	---	---
20-250 Vac	NO	2/3wires	order No.	---	---	---	---
10-30 Vdc	Analog 0-20 mA	3 wires	order No.	---	---	---	---
NAMUR amplifier	NAMUR	2 wires	order No.	---	---	---	---

	10-30 Vdc (-15/10%)	10-30 Vdc (-15/10%)	10-30 Vdc (-15/10%)	10-30 Vdc (-15/10%)
Nominal Voltage	10-30 Vdc (-15/10%)	10-30 Vdc (-15/10%)	10-30 Vdc (-15/10%)	10-30 Vdc (-15/10%)
Residual Ripple	< 10%	< 10%	< 10%	< 10%
Hysteresis	< 10%	< 10%	< 10%	< 10%
Max. Output Current	200 mA	200 mA	200 mA	200 mA
Min. Output Current	---	---	---	---
Residual Current	< 10 mA	< 10 mA	< 10 mA	< 10 mA
Voltage Drop	< 6,5 V (I=100mA)	< 6,5 V (I=100mA)	< 6,5 V (I=100mA)	< 6,5 V (I=100mA)
Operation Led	Yellow	Yellow	Yellow	Yellow
Switching Frequency	200 Hz/100 Hz (2 wires NO-NC)	200 Hz/100 Hz (2 wires NO-NC)	200 Hz/100 Hz (2 wires NO-NC)	200 Hz/100 Hz (2 wires NO-NC)
Start Up Delay	< 75 ms	< 75 ms	< 75 ms	< 75 ms
Repeatability	< 3%	< 3%	< 3%	< 3%
Short Circuit Protection	Present (self-resetting)	Present (self-resetting)	Present (self-resetting)	Present (self-resetting)
Electric Protection	Against polarity reversal inductive loads	Against polarity reversal inductive loads	Against polarity reversal inductive loads	Against polarity reversal inductive loads
Temperature Limit	(-25 ... +70 °C)	(-25 ... +70 °C)	(-25 ... +70 °C)	(-25 ... +70 °C)
Protection Degree	IP67	IP67	IP67	IP67
Cable Length	---	---	---	---
Cable Section	---	---	---	---
Housing Material	Nickel-plated brass	Nickel-plated brass	Nickel-plated brass	Nickel-plated brass
Weight - Cable Output	---	---	---	---
Weight - Connector Output	170 g	170 g	170 g	170 g

